

## LEISTER ROBUST High Pressure Blower



Please read operating instructions carefully before use and keep for further reference.

### APPLICATION

- **The LEISTER Blower Robust is suitable for building into machines, installations and appliances and is designed for continuous operation.**
- It is suitable for delivering air, non combustible, non corrosive and non explosive gases.
- **Air supply for LEISTER Hot Air tools**, for intake air supply and for cooling.
- **Ventilation** of tanks, aquariums and different applications for textile machines.
- **Drawing off** of welding gases and fumes.
- **Transfer** of granular and loose materials.
- **Vacuuming** screen printing machines and air tables.





## WARNING



**Danger!** When opening up the tool live connections are exposed. Therefore, before opening it, disconnect all poles from the mains.



## CAUTION



The **voltage rating** stated on the tool should correspond to the mains voltage.



The tool must be grounded with the **protective conductor**.



Use **thermal overload protection switch**.



Pay attention to the **direction of rotation**.



Protect tool from **damp and wet**.

## TECHNICAL DATA

### Design

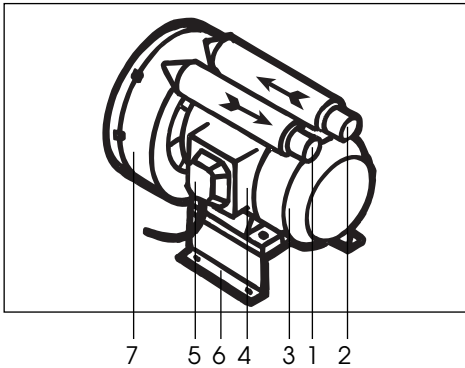
Voltage for three-phase supply	V~
Voltage for single phase supply	V~
Condensator for single phase	mF
Capacity	W
Frequency	Hz
Air flow	l/min.
Static pressure	Pa
Noise level	dB (A)
Environmental protection	DIN 40050
Diameter of air intake (internal Ø)	mm
Diameter of air outlet (internal Ø)	mm
Ambient temperature	°C
Weight	kg
Size (L x B x H)	mm

### lateral channel compressor

3 x 230–254	3 x 380–440
1 x 230–254	
12	
250	
50 / 60	
1200 / 1300	
8000 / 10500	
62	
IP 54	
Ø 38	
Ø 38	
< 60	
8,0	
255 x 221 x 221	

100 Pa = 1 mbar

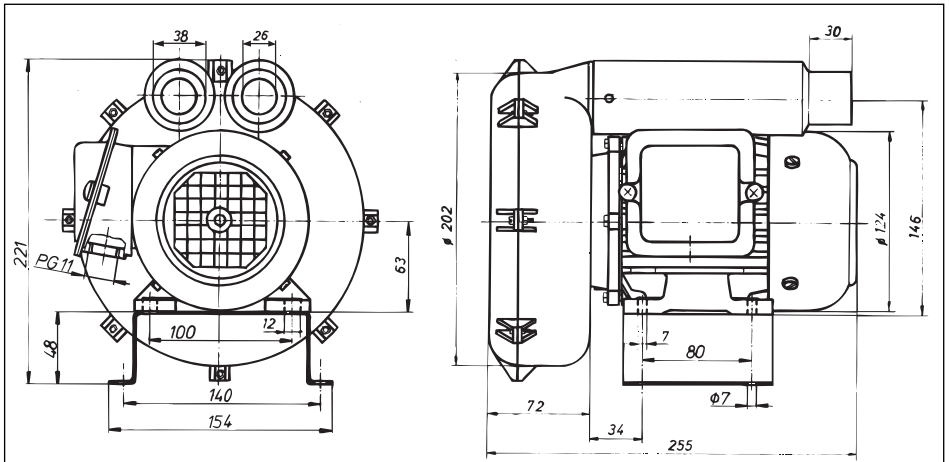
Description of tool



1. Air outlet  $\varnothing 38$
2. Air intake  $\varnothing 38$
3. Motor
4. Connection box
5. Connection box lid
6. Installation stand
7. Fan housing

Installation

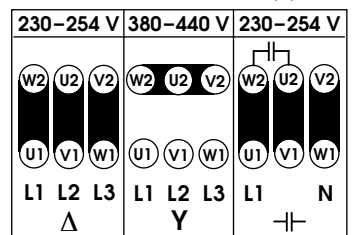
- The tool should be fixed by using four M6 screws on the **installation stand (6)**.
- Protect the tool from vibration and shock.
- The tool can be installed horizontally or vertically.
- Installation dimensions in mm



Operation

- The blower should only take in air at  $< 60^{\circ}\text{C}$ .
- For use in a dusty environment, a LEISTER stainless steel filter should be fitted onto the **blower air intake (2)**.
- The appropriate connections should be made in the **connection box (4)** depending on the voltage.
- The blower should be connected by an electric engineer. **Pay attention to the direction of rotation!**

Circuit diagram in connection box lid (5)



## ACCESSORIES

- Only LEISTER accessories must be used.

## SERVICE AND REPAIR

- Repairs should only be carried out by authorized **LEISTER Service Centres**. They guarantee a specialised and reliable **Repair Service within 24 hours** using original spare parts in accordance with the circuit diagram and spare parts list.

## WARRANTY AND LIABILITY

- Guarantee and liability are in accordance with the guarantee certificate as well as with the currently valid general business and sales conditions.
- LEISTER Process Technologies rejects any guarantee claims for tools which are not in their original condition. The tools must never be altered or changed.

**Technical data and specifications are subject to change without prior notice.**

**Your authorized Service Centre is:**